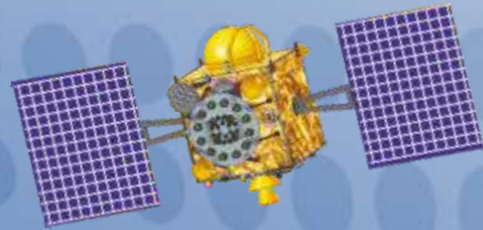




# PSLV-C31 IRNSS-1E



# PSLV-C31



PSLV-C31 at Second Launch Pad

Polar Satellite Launch Vehicle, in its thirty third flight (PSLV-C31), will launch IRNSS-1E, the fifth satellite of the Indian Regional Navigation Satellite System (IRNSS). The launch will take place from the Second Launch Pad (SLP) of Satish Dhawan Space Centre (SDSC) SHAR, Sriharikota. As in the previous four launches of IRNSS satellites, PSLV-C31 will use 'XL' version of PSLV. This is the eleventh time 'XL' configuration is being flown, earlier ten being PSLV-C11/Chandrayaan-1, PSLV-C17/GSAT-12, PSLV-C19/RISAT-1, PSLV-C22/IRNSS-1A, PSLV-C25/Mars Orbiter Spacecraft, PSLV-C24/IRNSS-1B, PSLV-C26/IRNSS-1C, PSLV-C27/IRNSS-1D, PSLV-C28/DMC-3 and PSLV-C30/ASTROSAT missions.

## PSLV-C31 at a glance (Vehicle lift-off Mass: 320 tonne Height: 44.4 m)

	Stage-1	Stage-2	Stage-3	Stage-4
Nomenclature	Core Stage PS1 + 6 Strap-on Motors	PS2	PS3	PS4
Propellant	Solid (HTPB based)	Liquid (UH25 + N <sub>2</sub> O <sub>4</sub> )	Solid (HTPB based)	Liquid (MMH + MON-3)
Propellant Mass (T)	138.2 (Core), 6 x 12.2 (Strap-on)	42.0	7.6	2.5
Stage Dia (m)	2.8 (Core), 1 (Strap-on)	2.8	2.0	1.3
Stage Length (m)	20 (Core), 12 (Strap-on)	12.8	3.6	3.0

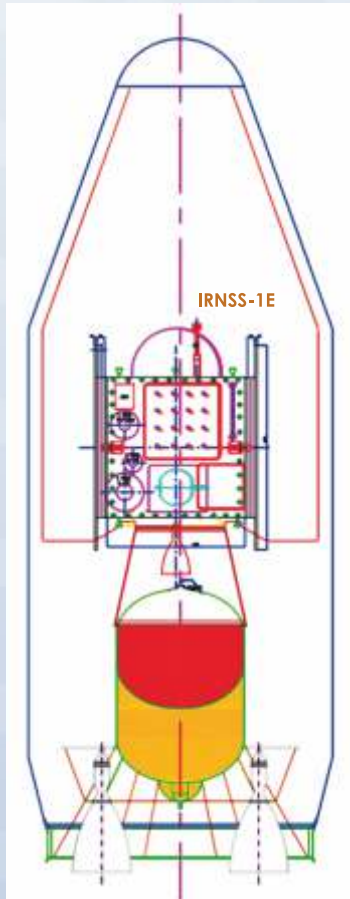
HTPB : Hydroxyl Terminated Poly Butadiene

UH25 : Unsymmetrical Dimethyl Hydrazine + 25% Hydrazine Hydrate

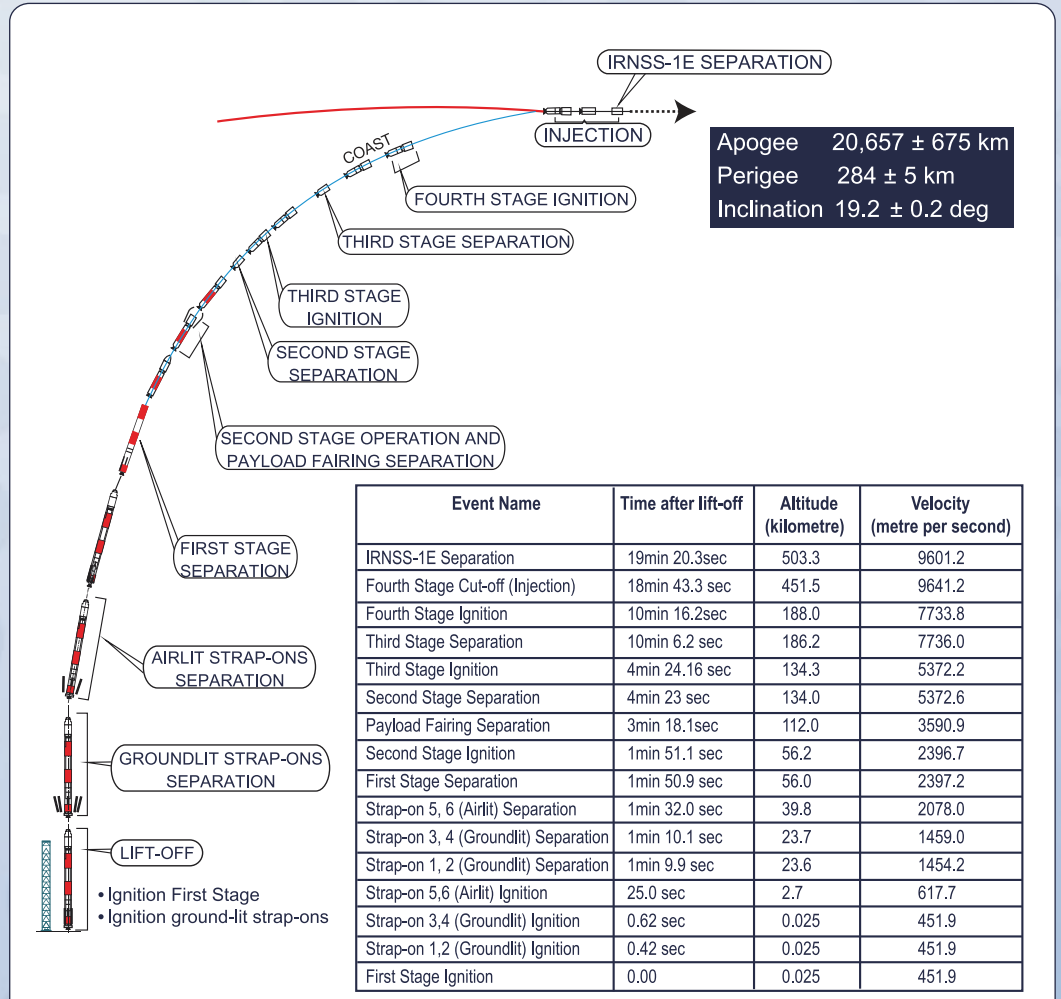
N<sub>2</sub>O<sub>4</sub> : Nitrogen Tetraoxide

MMH : Mono Methyl Hydrazine, MON-3: Mixed Oxides of Nitrogen

# PSLV-C31



IRNSS-1E in PSLV-C31 Envelope



## PSLV-C31 Typical Flight Profile



Integration of an 'XL' strap-on motor with the core stage of PSLV-C31 in progress



PSLV-C31 second stage during Vehicle Assembly

# IRNSS-1E



**IRNSS-1E integration in progress at Clean Room**

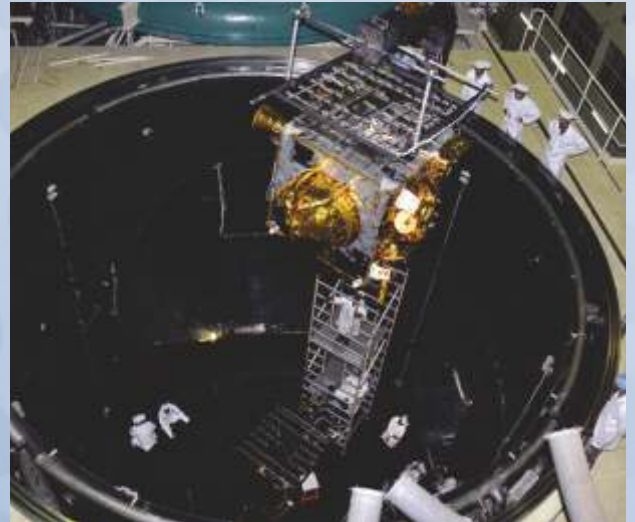
IRNSS-1E is the fifth navigation satellite of the seven satellites constituting the IRNSS space segment. Its predecessors, IRNSS-1A, 1B, 1C and 1D were launched by PSLV-C22, PSLV-C24, PSLV-C26 and PSLV-C27 in July 2013, April 2014, October 2014 and March 2015 respectively. IRNSS-1E has a lift-off mass of 1425 kg. The configuration of IRNSS-1E is similar to that of IRNSS-1A, 1B, 1C and 1D.

The two solar arrays of IRNSS-1E consisting of Ultra Triple Junction solar cells generate about 1660 Watts of electrical power. Sun and Star sensors as well as gyroscopes provide orientation reference for the satellite. Special

thermal control schemes have

been designed and implemented for some of the critical elements such as atomic clocks. The Attitude and Orbit Control System (AOCS) of IRNSS-1E maintains the satellite's orientation with the help of reaction wheels, magnetic torquers and thrusters. Its propulsion system consists of a Liquid Apogee Motor (LAM) and thrusters.

IRNSS-1E will be launched into a sub Geosynchronous Transfer Orbit (sub GTO) with a 284 km perigee (nearest point to Earth) and 20,657 km apogee (farthest point to Earth) with an inclination of 19.2 deg with respect to the equatorial plane.



**IRNSS-1E being loaded into the Large Space Simulation Chamber for thermal vacuum test**

After injection into this preliminary orbit, the two solar panels of IRNSS-1E are automatically deployed in quick succession and the Master Control Facility (MCF) at Hassan takes control of the satellite and performs the initial orbit raising manoeuvres consisting of one manoeuvre at perigee (nearest point to earth) and three at apogee (farthest point to earth).

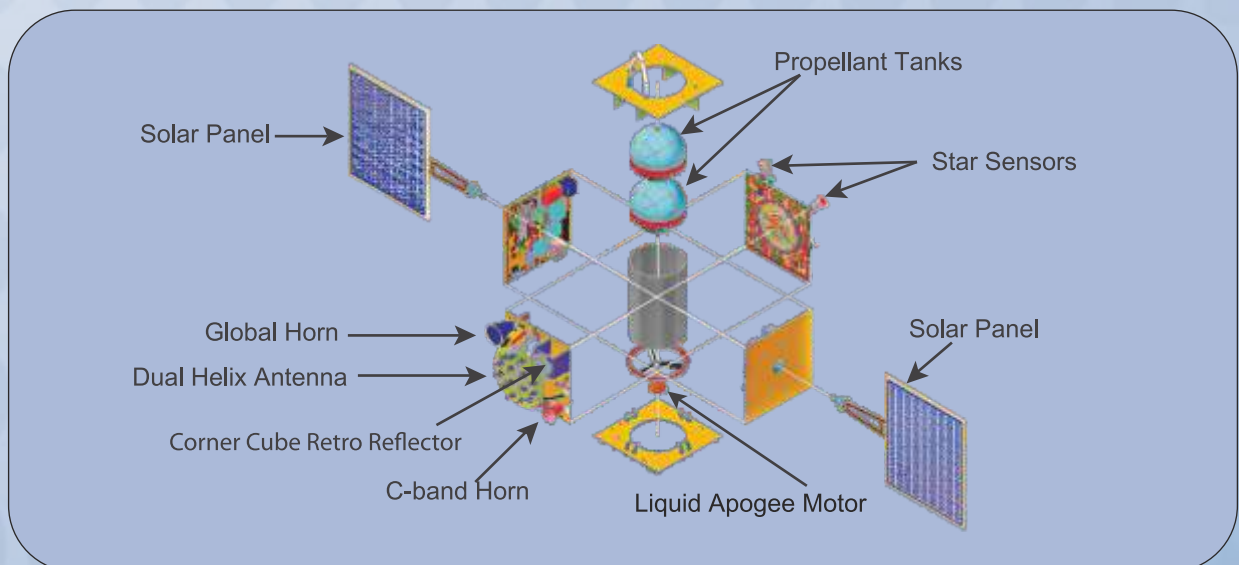


**IRNSS-1E propellant filling operation in progress**

For these manoeuvres, the Liquid Apogee Motor (LAM) of the satellite is used, thereby finally placing it in the geosynchronous orbit at 111.75 deg E location with an initial inclination of 28.1 deg with respect to the equator.

## IRNSS-1E Salient features

<b>ORBIT</b>	Geosynchronous, at 111.75 deg East longitude with 28.1 deg inclination
<b>LIFT-OFF MASS</b>	1425 kg
<b>DRY MASS</b>	598 kg
<b>PHYSICAL DIMENSIONS</b>	1.58 metre x 1.50 metre x 1.50 metre
<b>POWER</b>	Two solar panels generating 1660 W, one Lithium-ion battery of 90 Ampere-Hour capacity
<b>PROPULSION</b>	440 Newton Liquid Apogee Motor, twelve 22 Newton Thrusters
<b>CONTROL SYSTEM</b>	Zero momentum system, orientation input from Sun & Star Sensors and Gyroscopes; Reaction Wheels, Magnetic Torquers and 22 Newton thrusters as actuators
<b>MISSION LIFE</b>	12 years



IRNSS-1E Disassembled View

## PAYLOADS:

IRNSS -1E carries two types of payloads – navigation payload and ranging payload. The navigation payload of IRNSS-1E will transmit navigation service signals to the users. This payload will be operating in L5 band (1176.45 MHz) and S band (2492.028 MHz). A highly accurate Rubidium atomic clock is part of the navigation payload of the satellite. The ranging payload of IRNSS-1E consists of a C-band transponder which facilitates accurate determination of the range of the satellite. IRNSS-1E also carries Corner Cube Retro Reflectors for laser ranging.



# IRNSS Overview:

IRNSS is an independent regional navigation satellite system being developed by India. It is designed to provide accurate position information service to users in India as well as the region extending up to 1500 km from its boundary, which is the primary service area of IRNSS. The Extended Service Area lies between primary service area and area enclosed by the rectangle from Latitude 30 deg South to 50 deg North, Longitude 30 deg East to 130 deg East.

IRNSS will provide two types of services, namely, Standard Positioning Service (SPS), which is provided to all the users and Restricted Service (RS), which is an encrypted service provided only to the authorised users. The IRNSS System is expected to provide a position accuracy of better than 20 m in the primary service area.

IRNSS comprises of a space segment and a ground segment. The IRNSS space segment consists of seven satellites, with three satellites in geostationary orbit and four satellites in inclined geosynchronous orbit. IRNSS-1A, 1B, 1C and 1D the first four satellites of the IRNSS constellation, have already started functioning from their designated orbital slots after extensive on-orbit test and evaluation to confirm their satisfactory performance.

The IRNSS Signal-in-Space Interface Control Document (ICD) for SPS version 1.0 was released in the official ISRO website <http://irnss.isro.gov.in> in October 2014. The information for a user to acquire, track and utilise the SPS navigation signals are provided in the ICD. The signal-in-space of four IRNSS satellites has been validated by various agencies within and outside the country.

The current achieved position accuracy is 20 metres over 18 hours of the day with four satellites. With the launch of IRNSS-1E and the subsequent 1F and 1G in February and March 2016, the IRNSS constellation will be completed for the total operational use.

IRNSS ground segment is responsible for navigation parameter generation and transmission, satellite control, ranging and integrity monitoring as well as time keeping.



ISRO Navigation Centre at (INC) at Byalalu, the Nerve Centre of the IRNSS ground segment

Currently, IRNSS ground segment is operational on 24/7 basis with 13 Indian Range and Integrity Monitoring Stations (IRIMS), one IRNSS Network Timing Centre (IRNWT), one ISRO Navigation Centre (INC) and one Spacecraft Control Facility (SCF) with its data communication network. Along with the deployment of seven satellite constellation, the entire ground segment with two more IRIMS and one each of IRNWT, INC and SCF is planned to be established.

## Applications of IRNSS:

- Terrestrial, Aerial and Marine Navigation
- Vehicle tracking and fleet management
- Precise Timing
- Terrestrial navigation aid for hikers and travellers
- Disaster Management
- Integration with mobile phones
- Mapping and Geodetic data capture
- Visual and voice navigation for drivers



## Indian Space Research Organisation

Publications and Public Relations,  
ISRO Headquarters, Antariksh Bhavan  
New BEL Road, Bangalore - 560 231, India.  
[www.isro.gov.in](http://www.isro.gov.in)